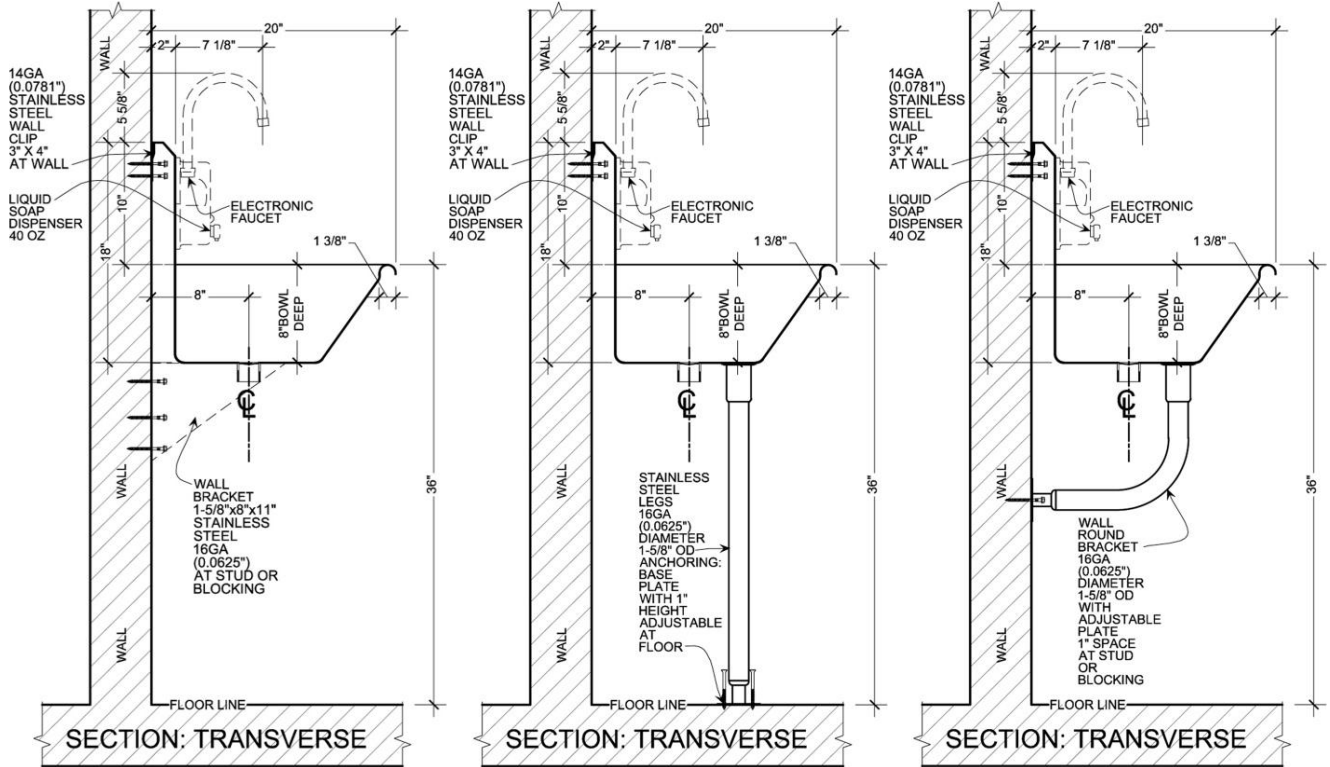
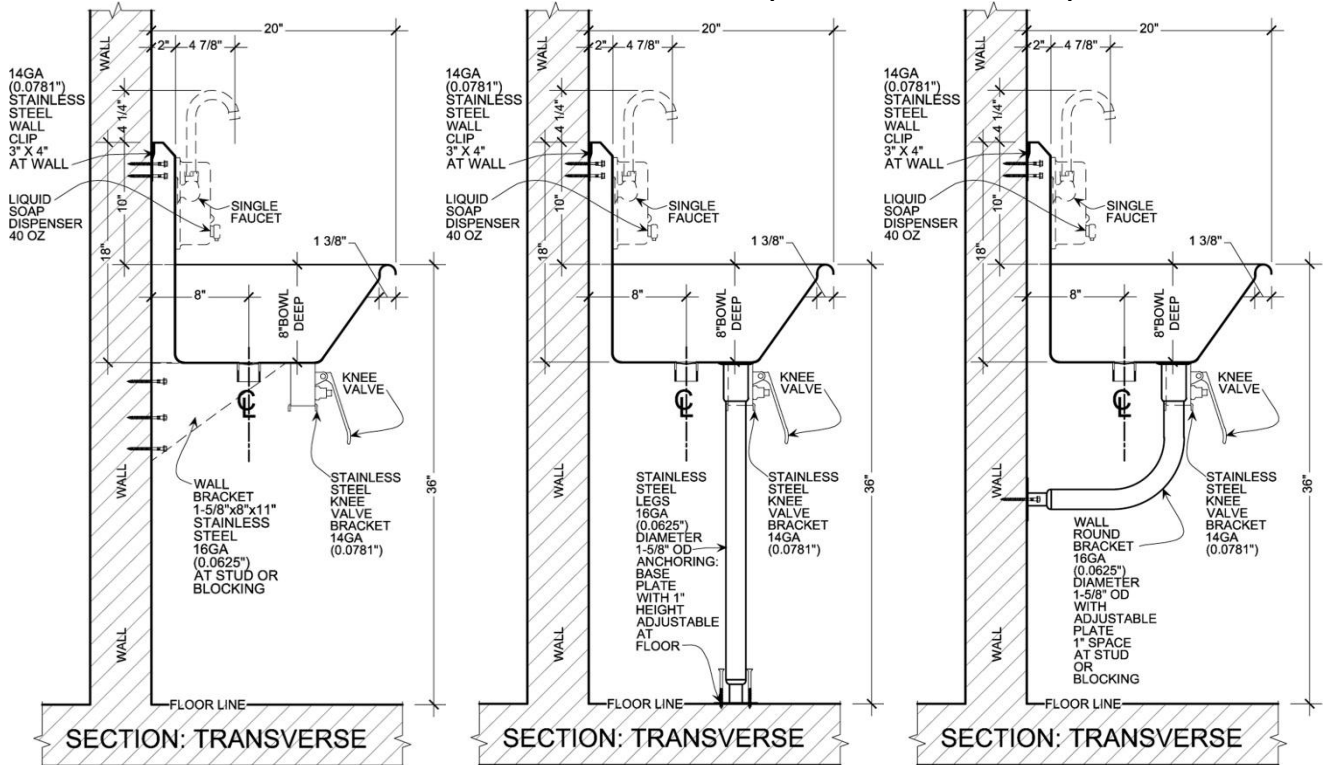


WASH UP HAND SINK INSTALLATION OPTIONS:

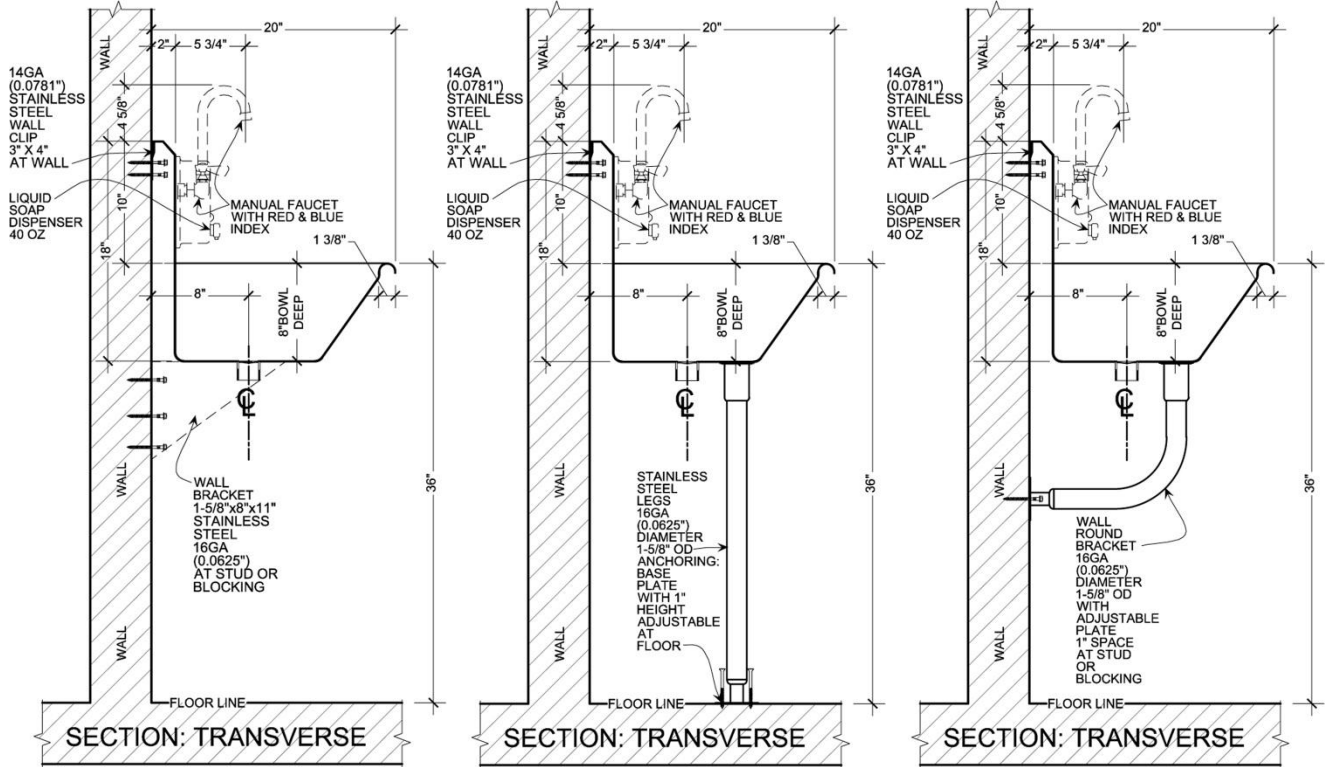
ELECTRONIC FAUCET MODELS



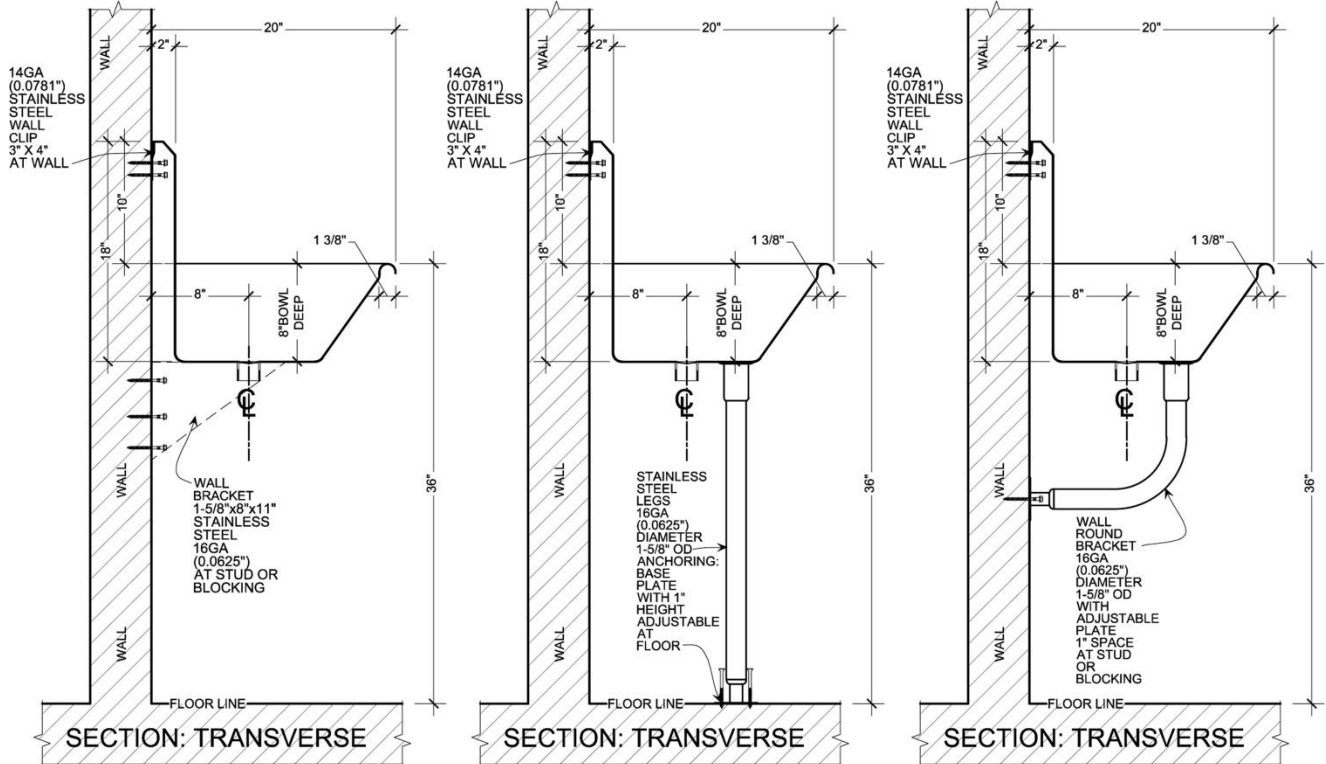
KNEE VALVE SYSTEM & SINGLE FAUCET MODELS (WITH MIXING VALVE)



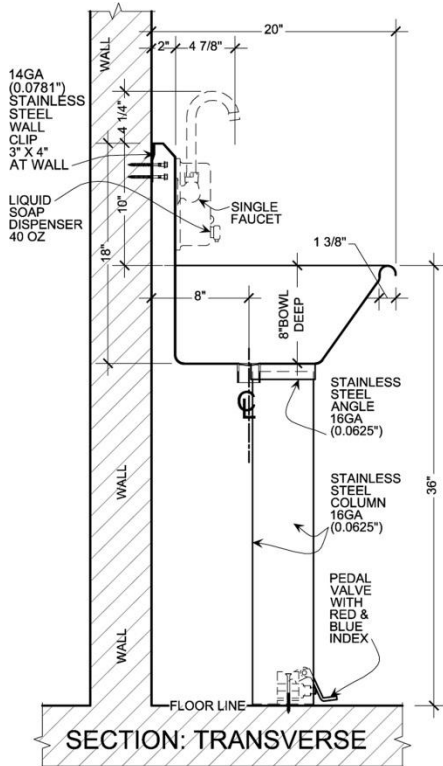
MANUAL FAUCET MODELS



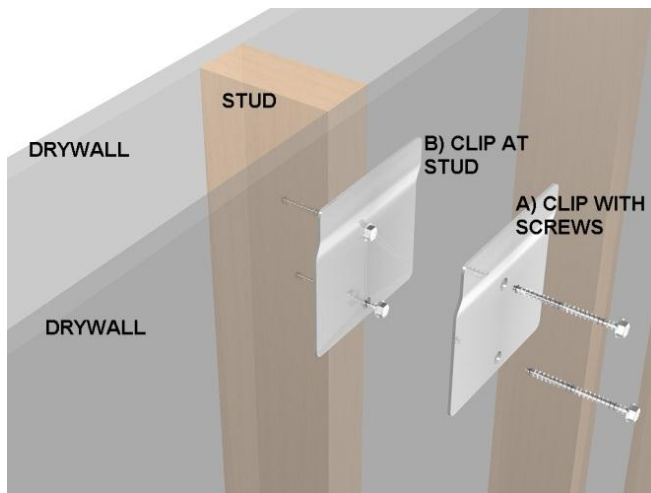
SINK ONLY WITHOUT FAUCET, 1 OR 2 HOLES MODELS



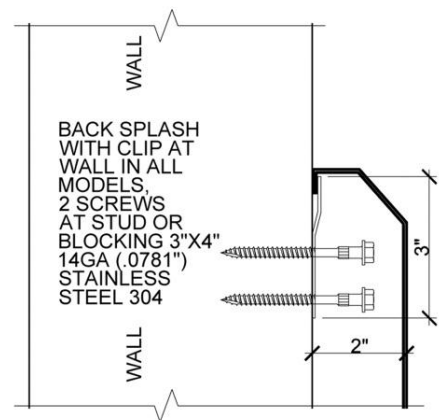
PEDAL VALVE SYSTEM MODELS



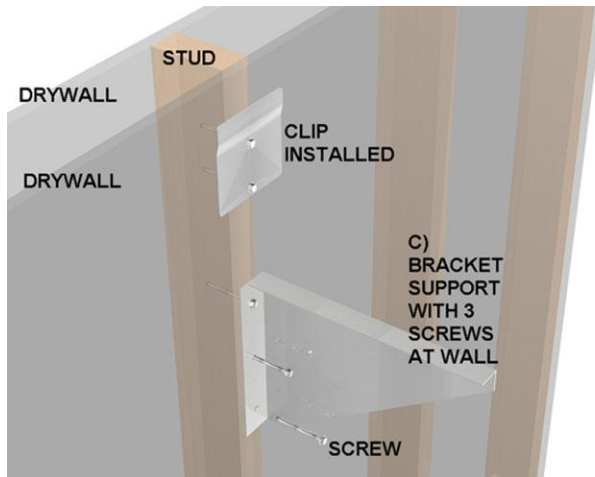
ANCHORING AT WALL FOR ALL MODELS



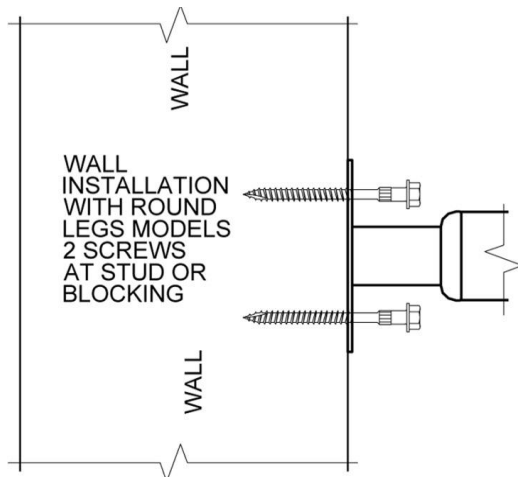
CLIP DETAIL:



ANCHORING AT WALL FOR BRACKET SUPPORT SYSTEM



ANCHORING AT WALL FOR ROUND BRACKET SUPPORT SYSTEM



ANCHORING AT FLOOR FOR STRAIGHT LEGS SUPPORT SYSTEM

