

**ISLAND MULTISTATION HEAVY DUTY STAINLESS STEEL HAND WASH SINK 6
USERS WITH KNEE VALVES AND SOAP DISPENSERS**



**INDUSTRIAL / COMMERCIAL Wash-up hand sink ISLAND 8 station
FLOOR MOUNT **Green** Straight Legs support **Blue** Model 086K724008L**

ITEM FEATURES

**NSF & ETL Approved Fabrication, Heavy duty 14 gauge (0.078") type 304 stainless steel
Interior and exterior, surfaces brushed/polished finish, Seamless fully welded corners
Over all Dimension: 72" L x 40" W x 48" H, Bowl dimension: 72" L x 40" W x 8" Deep**

Includes:

2 Temperature hot & cold control mixing water valves

6 Knee valves

6 Heavy Duty stainless steel brackets 14 gauge (0.078")

6 Hands free Faucets

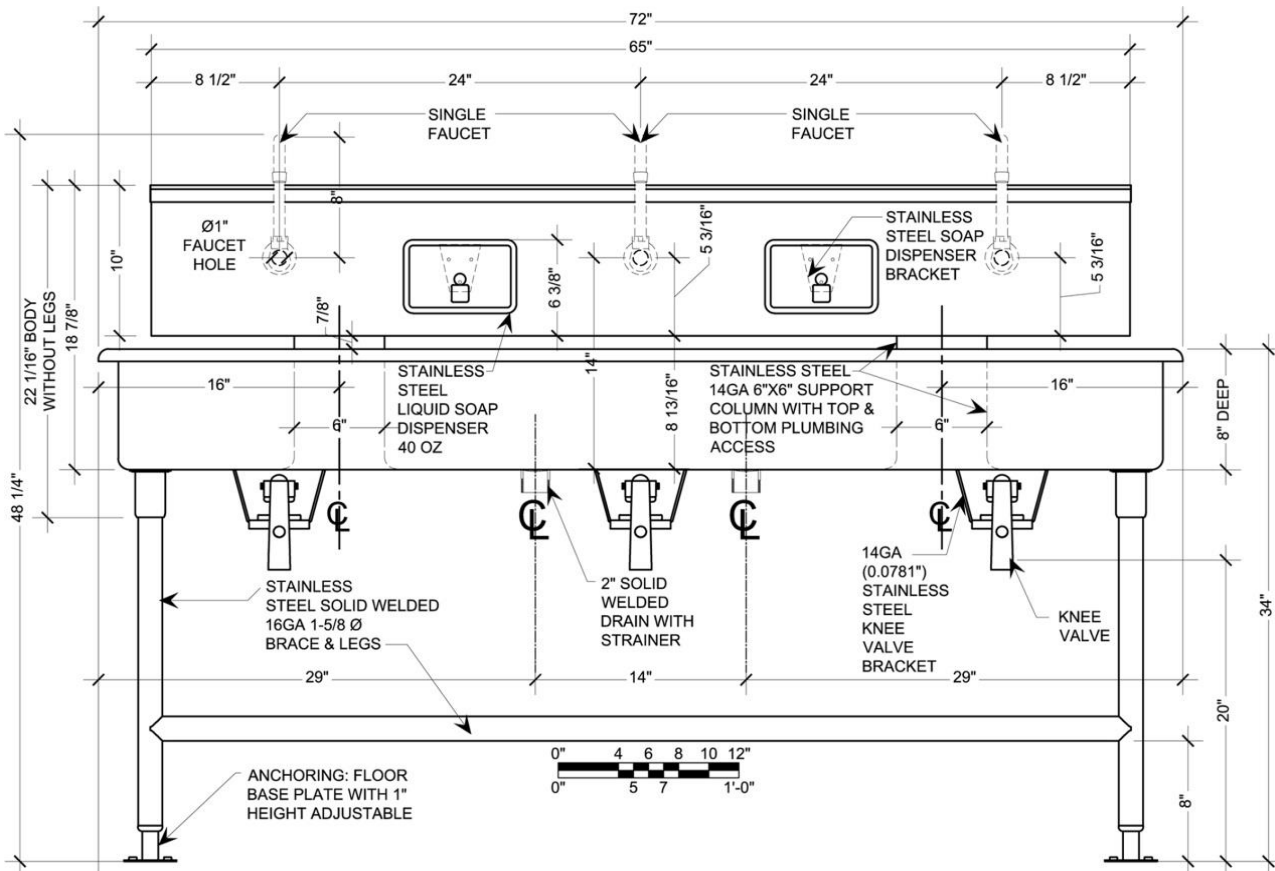
4 Soap Dispensers 40 OZ

2 Stainless Steel 2" Solid Welded Drains with Welded Strainer

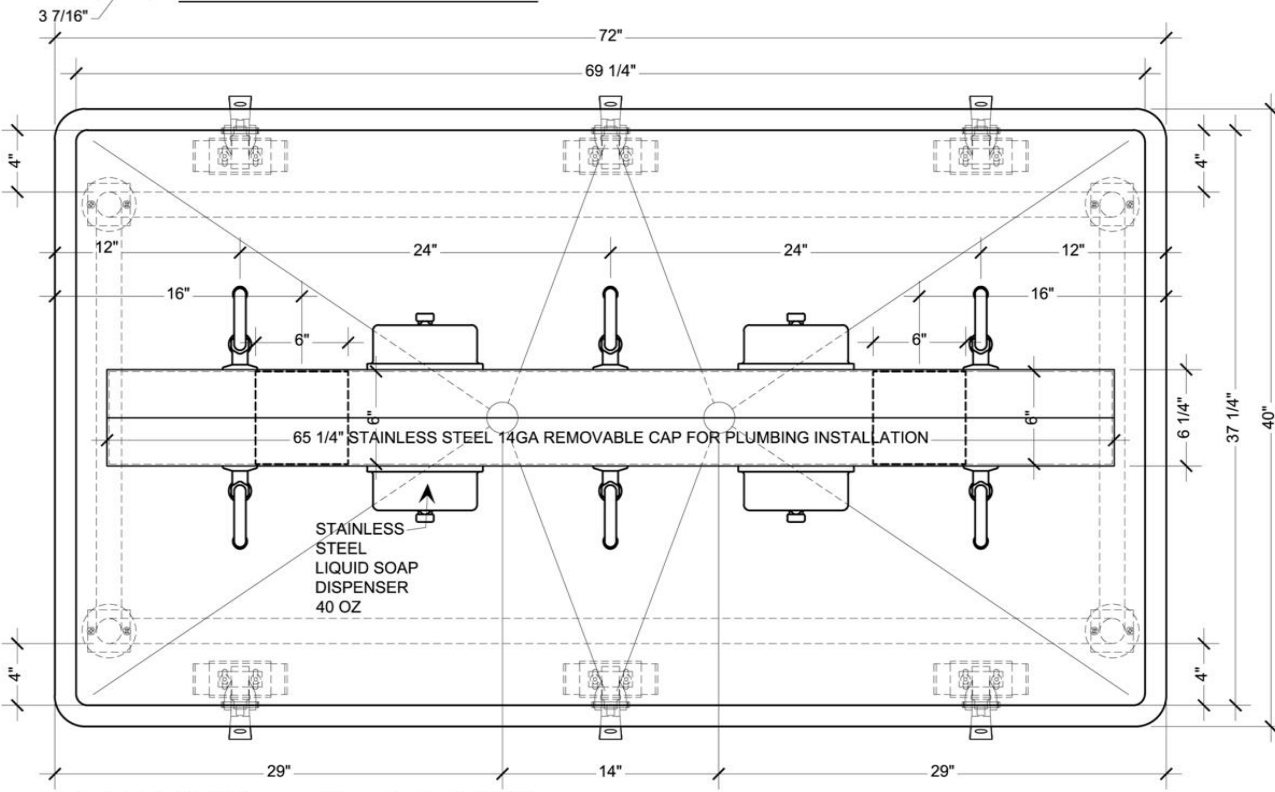
**4 Stainless Steel Straight Legs 16ga (0.0625") Diameter 1-5/8" OD,
with feet plate adjustable up to 1" height**

4 Stainless Steel Solid Welded Braces at legs 16ga (0.0625") Diameter 1-5/8" OD

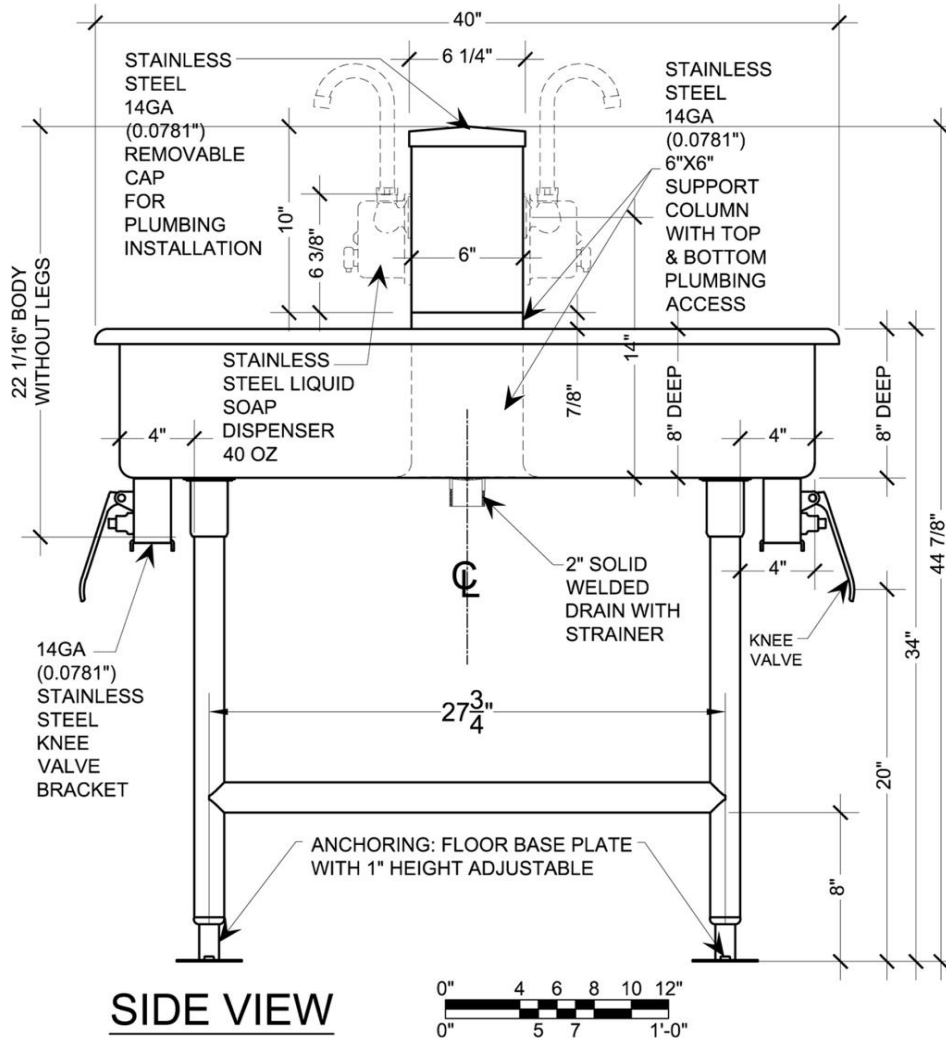
8 2-1/2" Standard screws for legs



FRONT & BACK VIEW



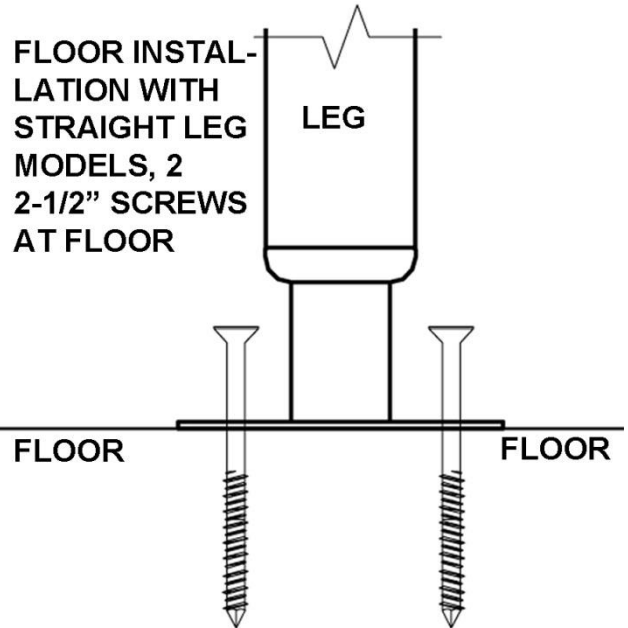
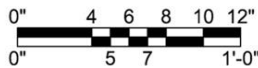
PLAN VIEW



SPECIFICATIONS:

- BODY: STAINLESS STEEL TYPE 304 HEAVY DUTY 14GA, (0.0781") BRUSH FINISH.
- BOWL: 14GA (0.0781") WELDED 3/4" RADIUS CORNERS, PITCHED TO 2 DRAIN HOLES 2" OF DIAMETER WITH WELDED STRAINER
- CENTER CHEST : 65-1/4"L X 10"H X 6"W WITH 10% SLOPE AT REMOVABLE CAP 14GA (0.0781") FOR PLUMBING INSTALLATION.
- 6 SINGLE FAUCETS LOCATION ONE HOLE AT BACK CHEST DIAMETER 1" PER PLANS
- 6 KNEE VALVE BRACKETS HEAVY DUTY 14GA (0.0781") SOLID WELDED TO BASE TUB.
- 2 HOT & COLD WATER MIXING VALVES
- 6 KNEE VALVES ONE EACH FAUCET
- 2 STAINLESS STEEL DRAIN 2" DIAMETER WITH STRAINER AT BOWL CENTER
- 4 STAINLESS STEEL 40 OZ HORIZONTAL LIQUID SOAP DISPENSERS
- 4 STAINLESS STEEL LEGS 16GA (0.0625") DIAMETER 1-5/8" OD WITH FEET PLATE ADJUSTABLE UP TO 1" HEIGHT ON FLOOR.
- 4 STAINLESS STEEL 16GA (0.0625") DIAMETER 1-5/8" OD SOLID WELDED BRACES TO LEGS

SIDE VIEW



**ALL ITEMS
INCLUDED:**



**KNEE
VALVE
MODEL:
BSMAA
2003**



**SINGLE-
FAUCET**

**MIXING
VALVE
MODEL:
BSMV
1001**



**1-1/2" OR 2"
NPT STAINLESS
STEEL DRAIN
SOLID WELDED
TO THE BOWL**



**HORIZONTAL LIQUID
SOAP DISPENSER 40OZ**