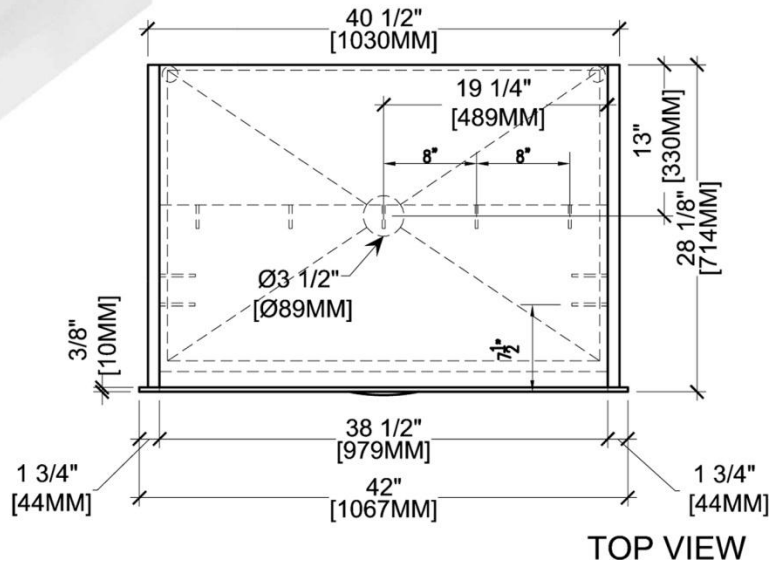
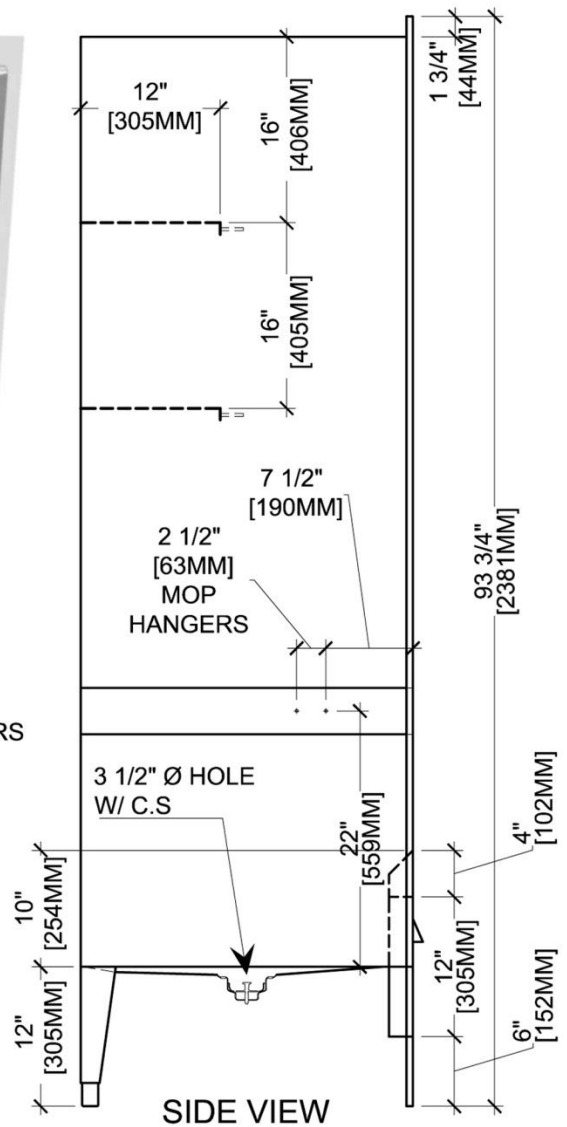


**18 GA (0.05") STAINLESS STEEL MOP SINK ENCLOSED
MODEL: MS944228
PATENT PENDING No. US10/980,724**



42" FRONT FACE X 28"
 ALL 18 GA. 304 #4 STAINLESS STEEL CONSTRUCTION



MOP SINK MODEL: MS944828

OVER THE YEARS, RESTAURANT OWNERS HAVE BEEN STRUGGLING WITH SANITATION ISSUES EITHER ON KITCHEN FLOOR OR BEHIND THE BACK DOOR; WATER SPILLAGE ON THE FLOOR, DETERIORATION OF WALLS IN THE SURROUNDING AREA CAUSED BY FLOODING OF WASHED WATER AND SANITIZING LIQUID, AND WORSE OF ALL, ACCUMULATION OF BACTERIA, GERMS, AND BAD ODORS THROUGHOUT THE AREA. A CONVENTIONAL COMPARTMENT SINK WILL NOT SOLVE THE PROBLEM, SINCE WITH THIS TYPE OF SINK THE WORKING ENVIRONMENT IS UNSAFE, SLIPPERY AND YOU FACE THE POSSIBILITY OF A DOWN-GRADING FROM THE HEALTH DEPARTMENT. THESE PROBLEMS KEEP INCREASING EACH AND EVERY TIME AND THERE ARE NO OTHER SOLUTIONS OUT IN THE MARKET TO EFFECTIVELY CORRECT IT, BESIDES WHAT WE HAVE CREATED.

THE SOLUTION THAT BSM HAS CREATED IS UNIQUE – A FULLY ENCLOSED MOP SINK. AN EXCELLENT IDEA TO FIT IT IN BETWEEN YOUR EXISTING TWO WALLS OR YOU CAN GET THE OPTIONAL FINISHED SIDE PANELS, SO YOU DO NOT HAVE TO CONSTRUCT NEW WALLS. THE STAINLESS STEEL WALLS WITH ROUND EDGES INSIDE PREVENTS ANY COLLECTION OF BACTERIA, GERMS AND GRIME. IT IS LARGE ENOUGH THAT YOU CAN HANG AND WASH UP TO 5 FLOOR MATS INSIDE. EVEN MORE, IT HAS PIN HANGERS FOR TWO FLOOR MOPS AND ONE OR TWO UTILITY SHELVES TO STORE CLEANING PRODUCTS. SINGLE CONTINUOUS PIECE TYPE 304 STAINLESS STEEL, DURABLE, EASY TO CLEAN, SANITARY.

AVAILABLE:

94"H X 48" W X 28"D

94"H X 46" W X 28"D

94"H X 44" W X 28"D

94"H X 42" W X 28"D

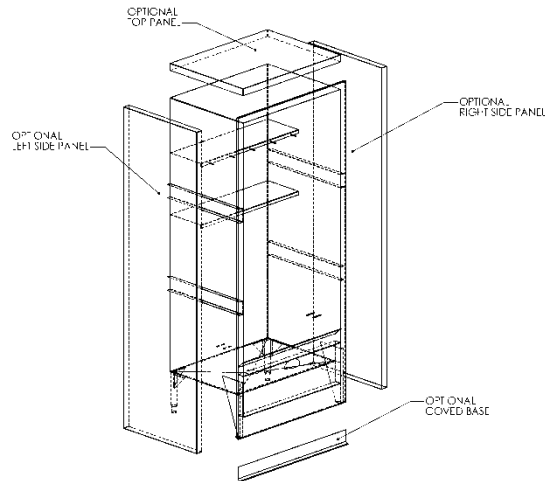
94"H X 40" W X 28"D

94"H X 38" W X 28"D

& CUSTOM SIZE PLEASE SEND US AN E-MAIL

- ❖ **OPENING: 80" X UP TO 44"W X 28"D**
- ❖ **HEAVY DUTY AND ADJUSTABLE REAR LEGS AND TRIANGLE SUPPORT PLATES ON TWO SIDES.**
- ❖ **INSIDE EDGES COVERED 9/16" RADIUS.**
- ❖ **TWO (2) 12"X38" SHELVES.**
- ❖ **THREE (3) 1/4" PIN HANGERS ON UPPER SHELF**
- ❖ **FIVE (5) 1/4" PIN HANGERS ON BOTTOM SHELF**
- ❖ **TWO (2) 1/4" PIN HANGERS ON LEFT AND TWO (2) ON RIGHT SIDE OF THE PANEL FOR MOPS.**
- ❖ **STANDARD SINK DRAIN HOLE 3-1/2" AND BASKET STRAINER WITH 12" CLEARANCE BETWEEN THE BOTTOM OF THE MOP SINK TO THE FLOOR FOR EASY RELOCATING THE DRAINAGE.**
- ❖ **DOOR AT THE BOTTOM WITH HANDLE FOR PLUMBING ACCESS.**
- ❖ **STAINLESS STEEL FRONT BASE COVER INCLUDED**
- ❖ **BRACE CHANNELS, 3 ON EACH SIDE, TO STRENGTHEN THE STRUCTURE.**

- ❖ **OPTIONALS: HOSE HANGER HEAVY DUTY 14 GA, FAUCET MODEL: BSMAA-840 HEAVY DUTY NOT INCLUDED**
- ❖ **OPTIONS: SIDE PANELS AVAILABLE IN CASE YOU DON'T HAVE SIDE WALL(S) BUILT-IN.**



- (I) **FINISHED LEFT SIDE PANEL**
- (II) **FINISHED RIGHT SIDE PANEL**
- (III) **FINISHED TOP PANEL**
- (IV) **STAINLESS STEEL COVERED BASE**

SPECIFICATION & PRICE:

<u>ALL MODELS</u>	<u>HEIGHT</u>	<u>WIDTH</u>	<u>DEPTH</u>	<u>PRICE</u>
OPTIONS				
FINISHED LEFT SIDE PANEL	94"	N/A	28"	\$495
FINISHED RIGHT SIDE PANEL	94"	N/A	28"	\$495
FINISHED TOP PANEL	N/A	N/A	28"	\$375
COVERED BASE:	N/A	N/A	N/A	
FULL WRAP AROUND (L, F, R)	N/A	N/A	N/A	\$295
LEFT OR RIGHT AND FRONT	N/A	N/A	N/A	\$165
FRONT ONLY	N/A	N/A	N/A	\$165

*CUSTOM SIZES ARE AVAILABLE FROM 28" TO 48" WIDTH SAME PRICE.