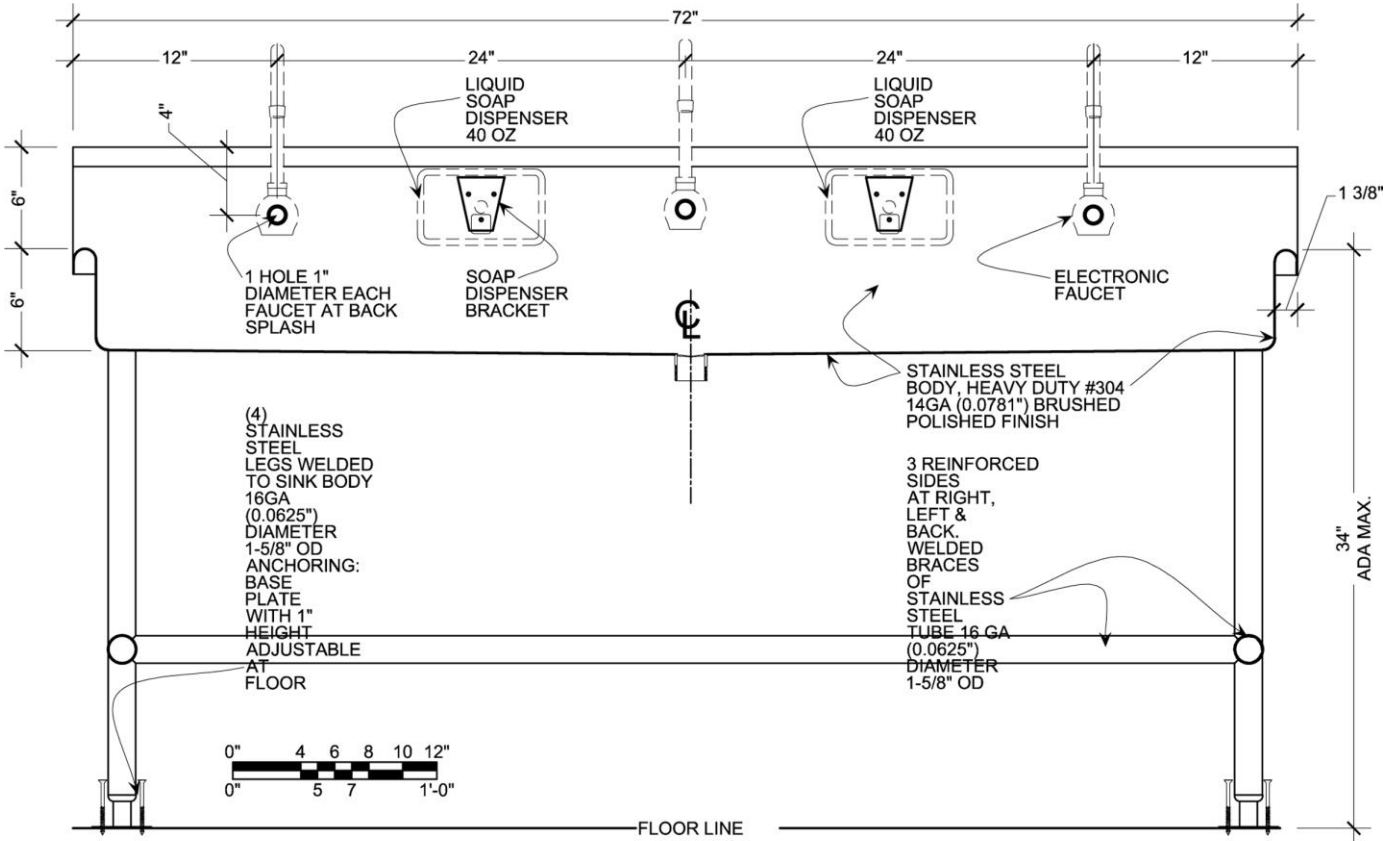


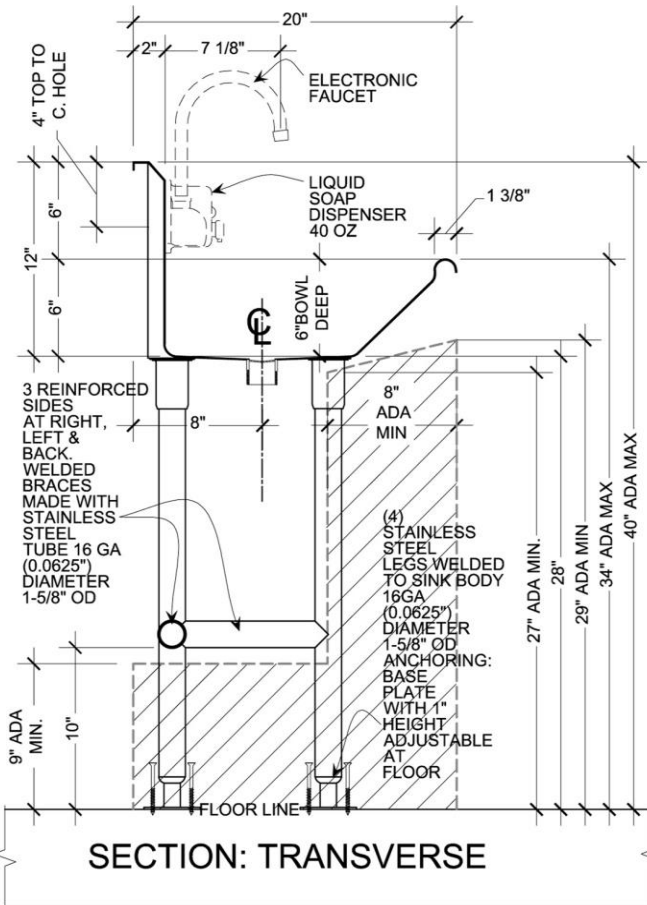
**ADA WASH UP HAND SINK, FREE STANDING:
3 STATION STAINLESS STEEL 72" WITH ELECTRONIC FAUCETS & HORIZONTAL LIQUID
SOAP DISPENSERS 40OZ MODEL: [ADA-032E722066H](#)**



SHOP DRAWING



SECTION: LONGITUDINAL



ITEMS INCLUDED:



ELECTRONIC FAUCET



1-1/2" OR 2" NPT STAINLESS STEEL DRAIN SOLID WELDED TO THE BOWL



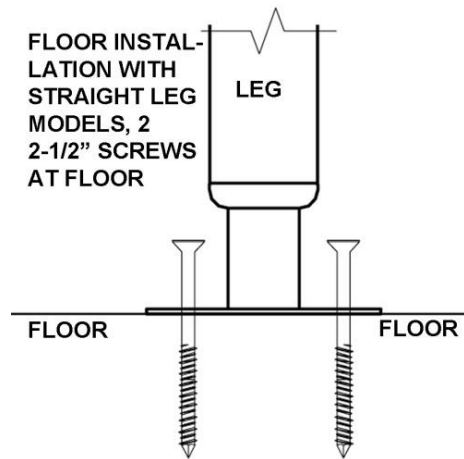
LIQUID SOAP DISPENSER 40 OZ



DRAIN SYSTEM: IMPROVED DRAIN SYSTEM, NO MORE SEAL LEAKS OR LOOSE BASKET STRAINER, SOLID WELDED 1-1/2" NPT, SCHEDULE 40 STAINLESS STEEL 304, PLUS A WELDED 3/16" DIAMETER HOLES 16 GA (0.0625") STAINLESS STEEL PERFORATED SCREEN



ANCHORING:



FLOOR INSTALLATION WITH STRAIGHT LEG MODELS, 2 2-1/2" SCREWS AT FLOOR

LEG

FLOOR

FLOOR