

**WASH UP HAND SINK:  
2 STATION STAINLESS STEEL WITH ELECTRONIC FAUCETS  
MODEL: 1ADA-022E50208R**



**MADE IN AMERICA**

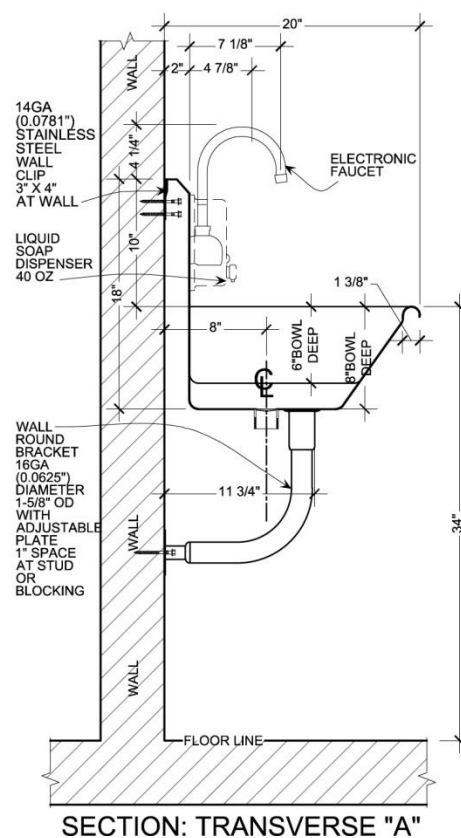
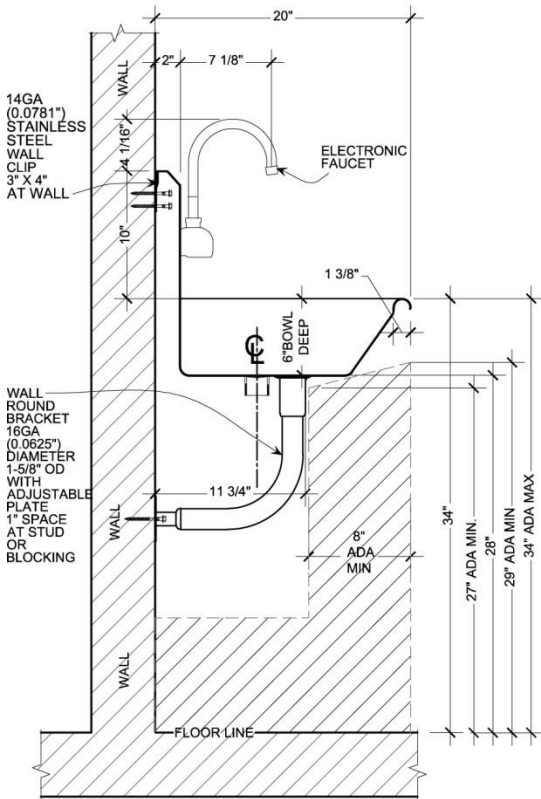
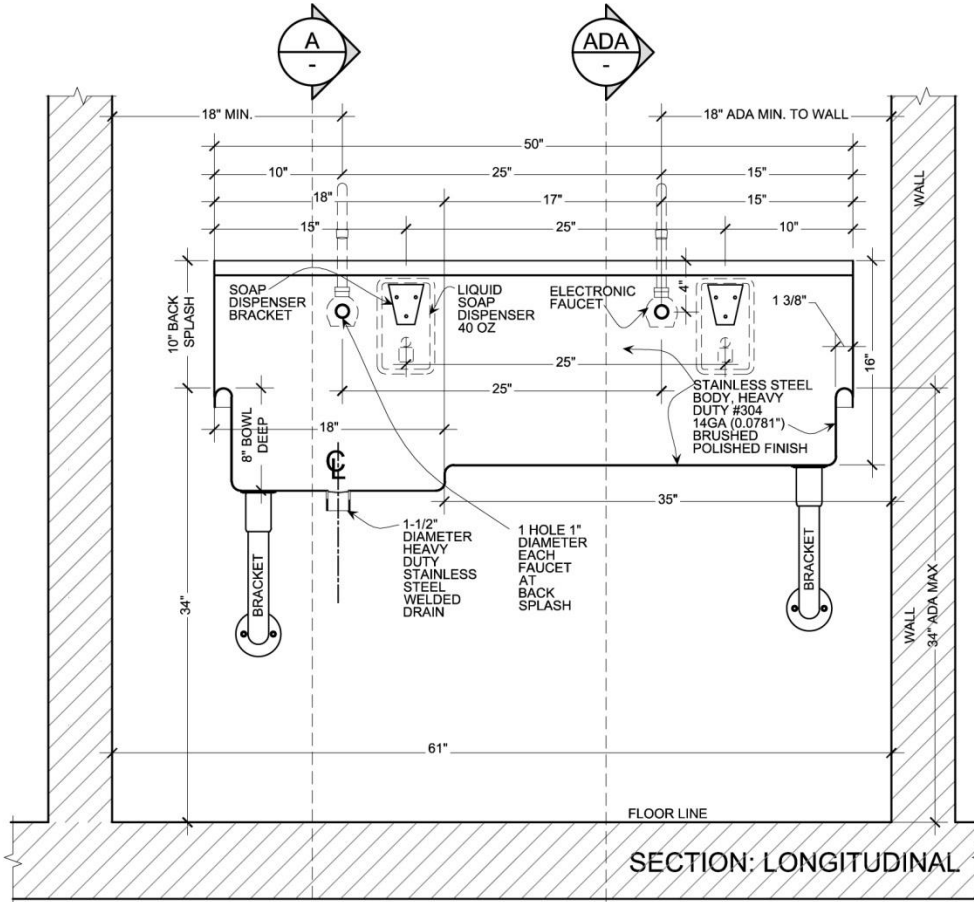


**3052822**

**CONFORMS TO ANSI/NSF STD 2**

**SANITATION LISTED  
FOOD  
SERVICE  
EQUIPMENT**

# SHOP DRAWING



**ITEMS INCLUDED:**



**ELECTRONIC FAUCET**

**LIQUID SOAP DISPENSER 40 OZ**



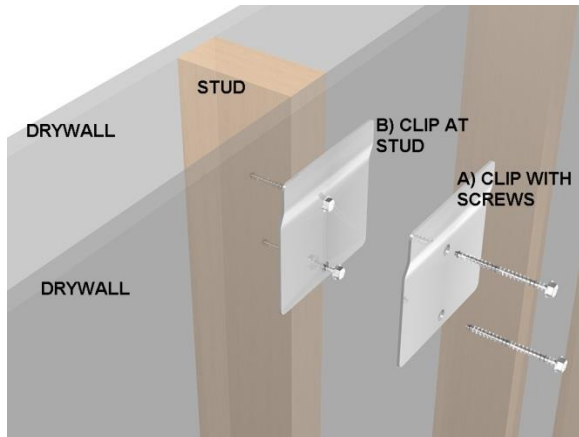
**1-1/2" OR 2" NPT STAINLESS STEEL DRAIN SOLID WELDED TO THE BOWL**



**DRAIN SYSTEM: IMPROVED DRAIN SYSTEM, NO MORE SEAL LEAKS OR LOOSE BASKET STRAINER, SOLID WELDED 1-1/2" NPT, SCHEDULE 40 STAINLESS STEEL 304, PLUS A WELDED 3/16" DIAMETER HOLES 16 GA (0.0625") STAINLESS STEEL PERFORATED SCREEN**



**ANCHORING:**



**CLIP DETAIL:**

