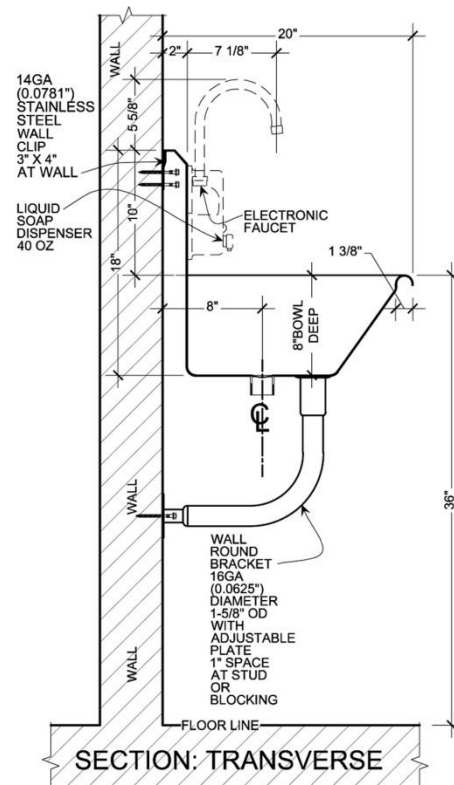
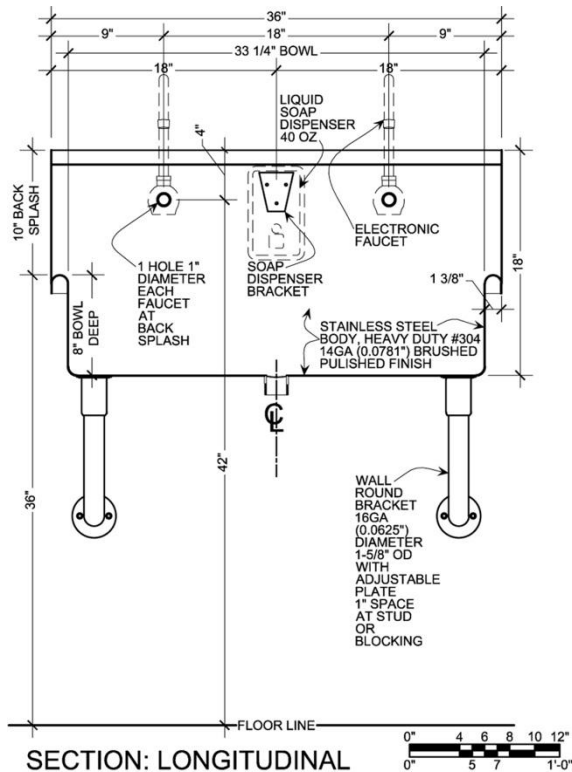


WASH UP HAND SINK:

2 STATION STAINLESS STEEL WITH ELECTRONIC FAUCETS HANDS FREE SYSTEM, HEAVY DUTY 14GA (.0781") STAINLESS STEEL / MODEL: 021E36208R



SHOP DRAWING



ITEMS INCLUDED:



ELECTRONIC FAUCET



LIQUID SOAP DISPENSER 40 OZ



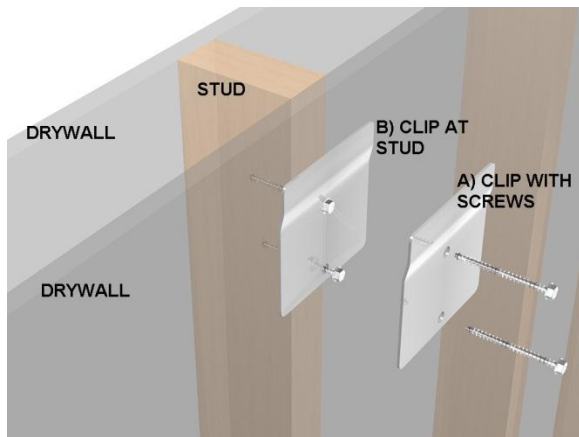
1-1/2" OR 2" NPT STAINLESS STEEL DRAIN SOLID WELDED TO THE BOWL



DRAIN SYSTEM: IMPROVED DRAIN SYSTEM, NO MORE SEAL LEAKS OR LOOSE BASKET STRAINER, SOLID WELDED 1-1/2" NPT, SCHEDULE 40 STAINLESS STEEL 304, PLUS A WELDED 3/16" DIAMETER HOLES 16 GA (0.0625") STAINLESS STEEL PERFORATED SCREEN



ANCHORING:



CLIP DETAIL:

